

SDP-A-24 & SDP-B-24 SHIPMENT CONTENTS:

- 1 - Plexiglass Guard Base
- 1 - Plexiglass Shield Top

SDP-C-24 & SDP-D-24 SHIPMENT CONTENTS:

- 2 - Plexiglass Guard Base Pieces
- 1 - Plexiglass Shield Top

REQUIRED TOOLS:

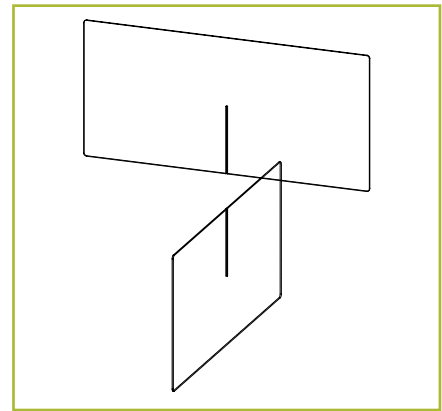
- None

ASSEMBLING YOUR NEW PROTECTIVE SHIELD

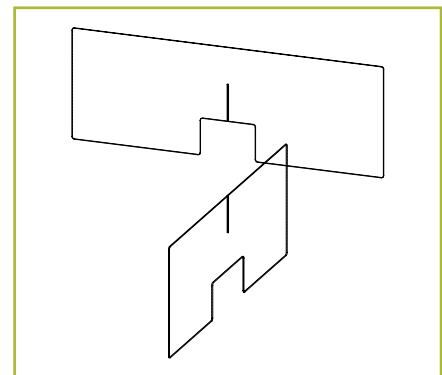
Align vertical cuts in the shield with same cuts in the base pieces. Slide the shield down into the slots.

CLEANING INSTRUCTIONS

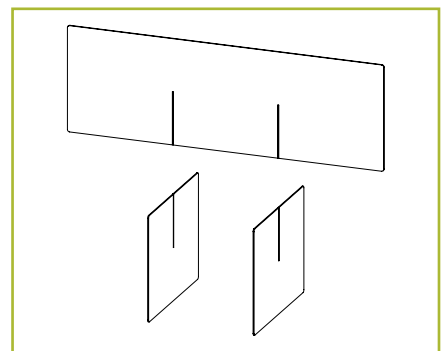
- Wipe dust and dirt from the plexiglass.
- Wet plexiglass with a solution made from water and dish soap. Avoid using products with alcohol, ammonia, or aromatics.
- Wipe the plexiglass until it is dry.



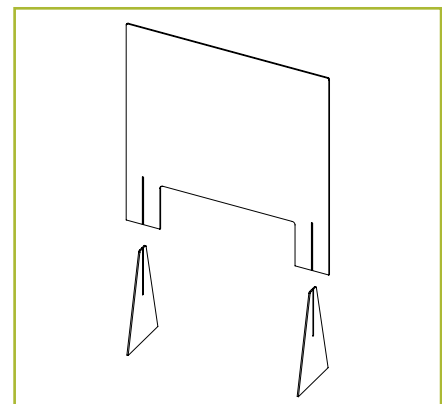
Model #: SDP-A-24



Model #: SDP-B-24



Model #: SDP-C-24



Model #: SDP-D-24